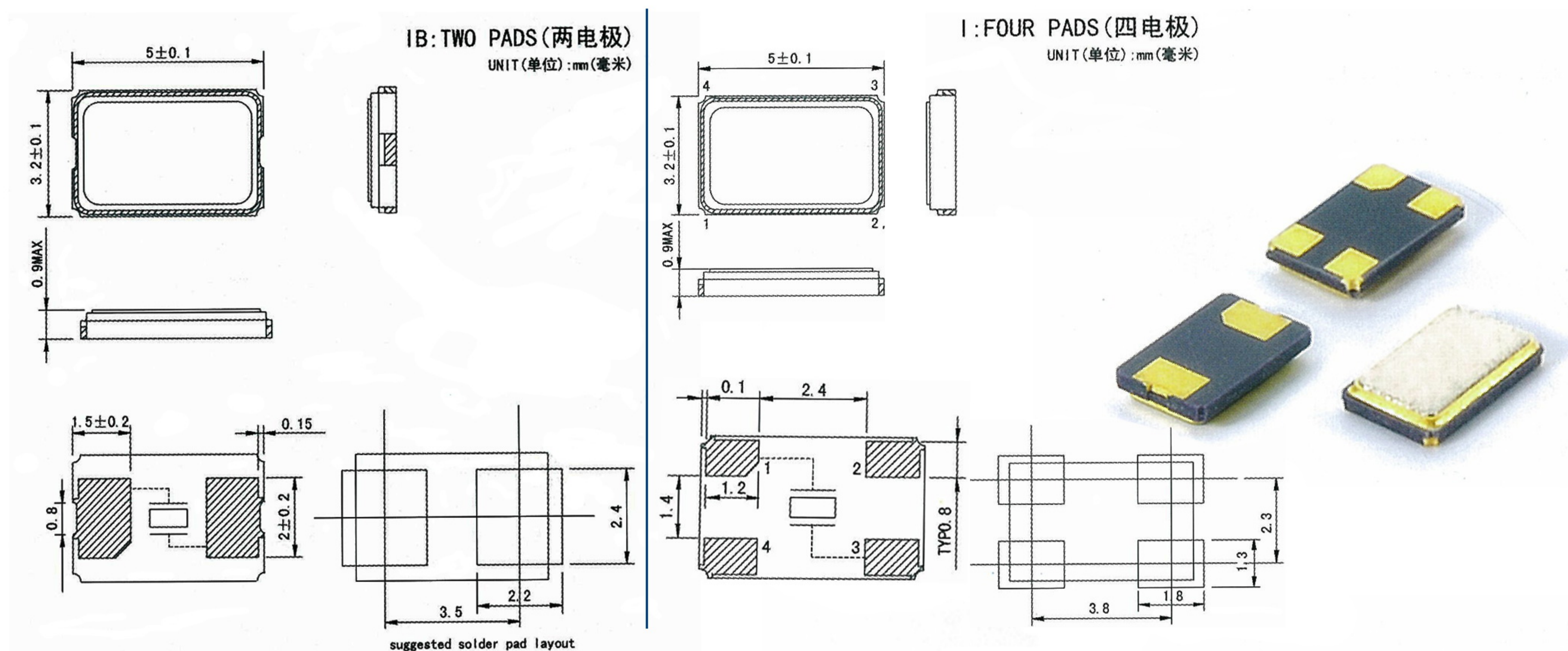


◆ Mechanical Dimensions 外型尺寸



◆ Electrical Specifications 电气参数

型号	Holder Type	5x3.2mm Ceramic Surface mount
频率范围	Frequency range	8.000MHz to 150.000MHz
调整频差	Frequency Tolerance (ΔF) (at 25°C)	±10ppm to ±100ppm
温度频差	Frequency Drift	±10ppm to ±100ppm
工作温度范围	Operating Temperature Range	-10°C~+60°C to -40°C~+85°C
储存温度范围	Storage Temperature Range	-40°C~+85°C/-55°C~+125°C
老化	Ageing(25°C)	±3ppm/year Maximum
静电容	Shunt Capacitance(C_0)	7pF maximum
激励功率	Drive Level	100μW Typical
绝缘阻抗	Insulation Resistance(R_s)	500 Megaohms Minimum at D.C100V
负载电容	Load Capacitance(C_L)	Suggested by customer

◆ Equivalent Series Resistance and Mode of Operation 等效阻抗和振荡模式

Frequency Range 频率范围	ESR(Ω) 等效抗阻	Mode 振荡模式
8.000-10.000MHz	100Max	Fundamental
10.000-12.000MHz	80Max	Fundamental
12.000-16.000MHz	60Max	Fundamental
16.000-20.000MHz	50Max	Fundamental
20.000-24.000MHz	40Max	Fundamental
24.000-5.000MHz	30Max	Fundamental
40.000-150.000MHz	80Max	Fundamental