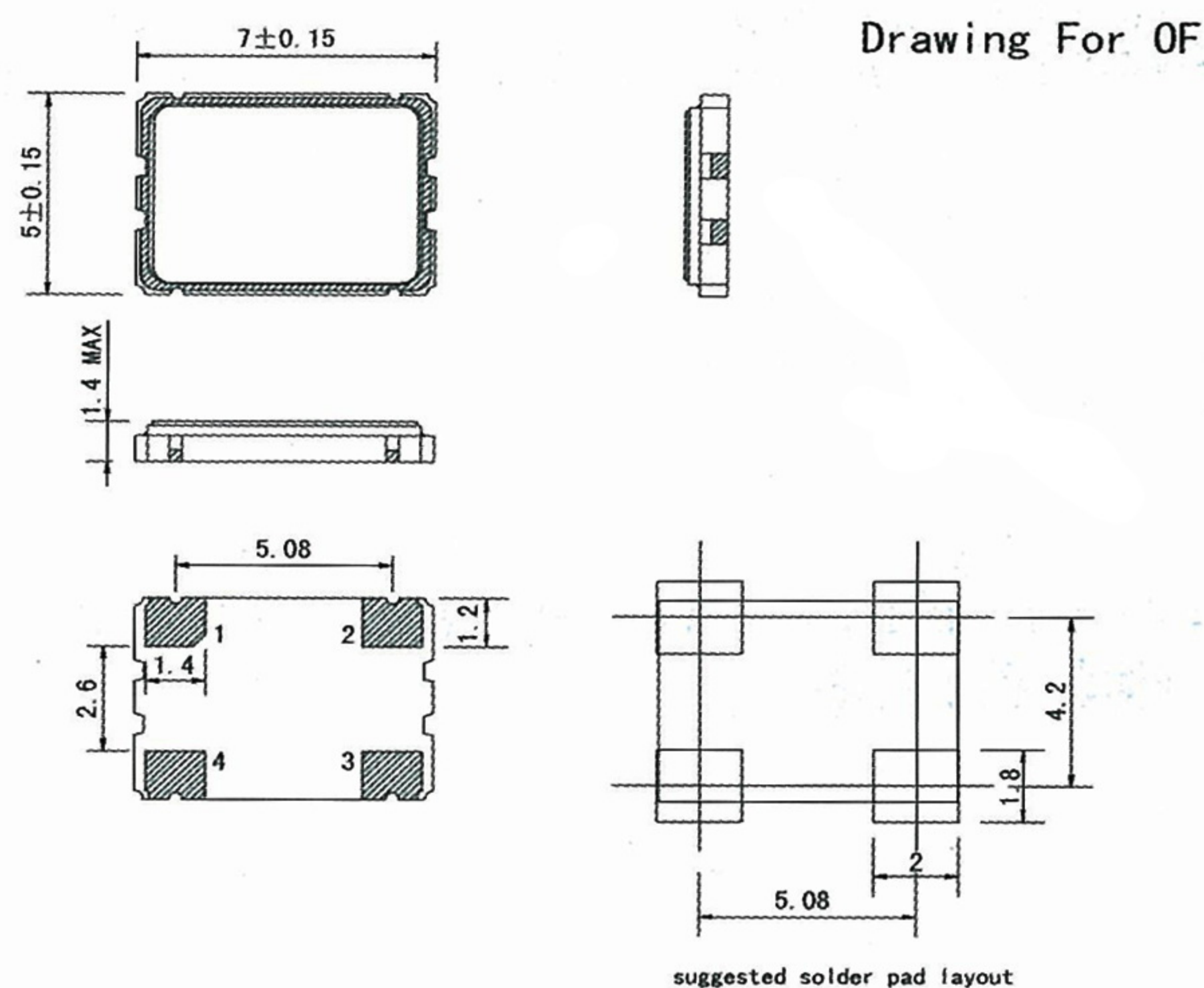
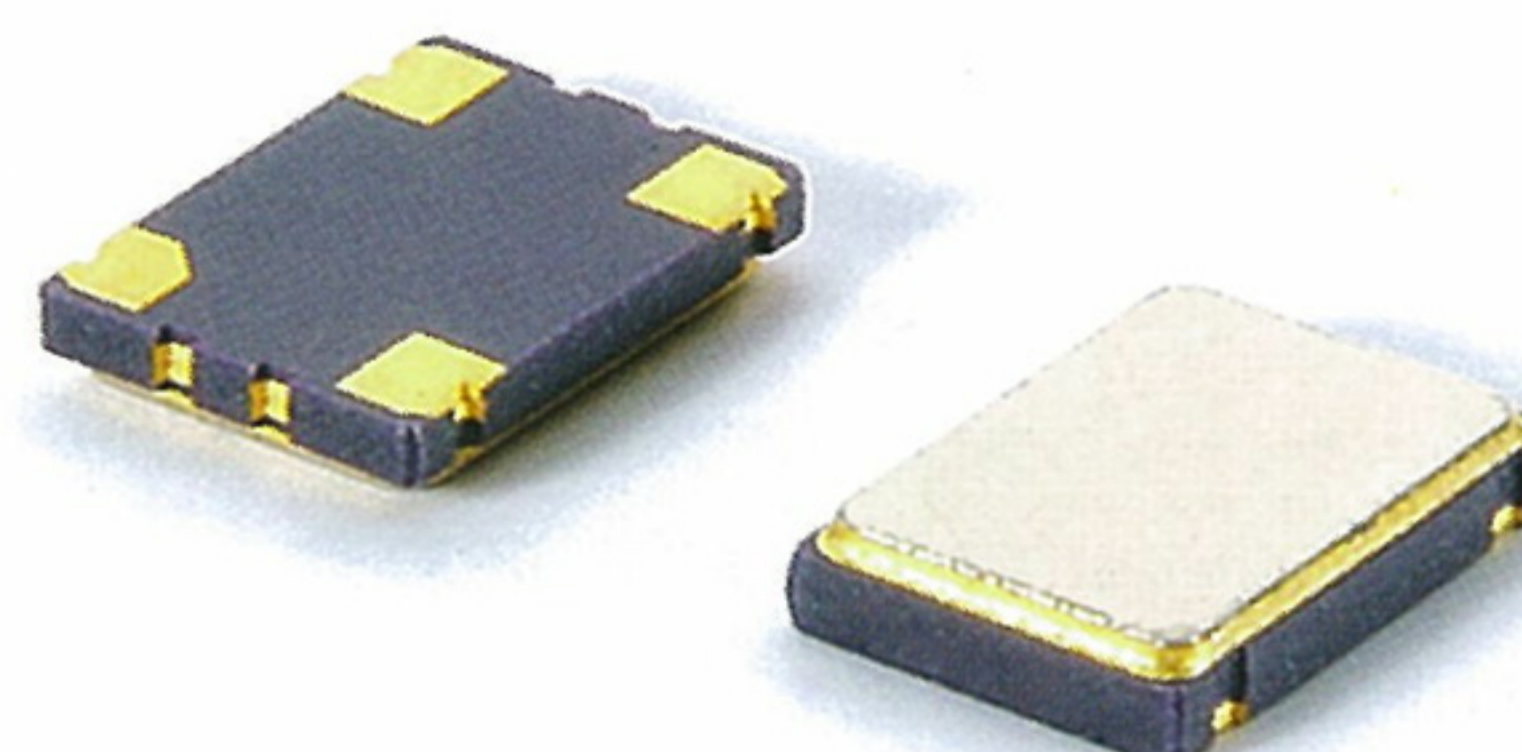
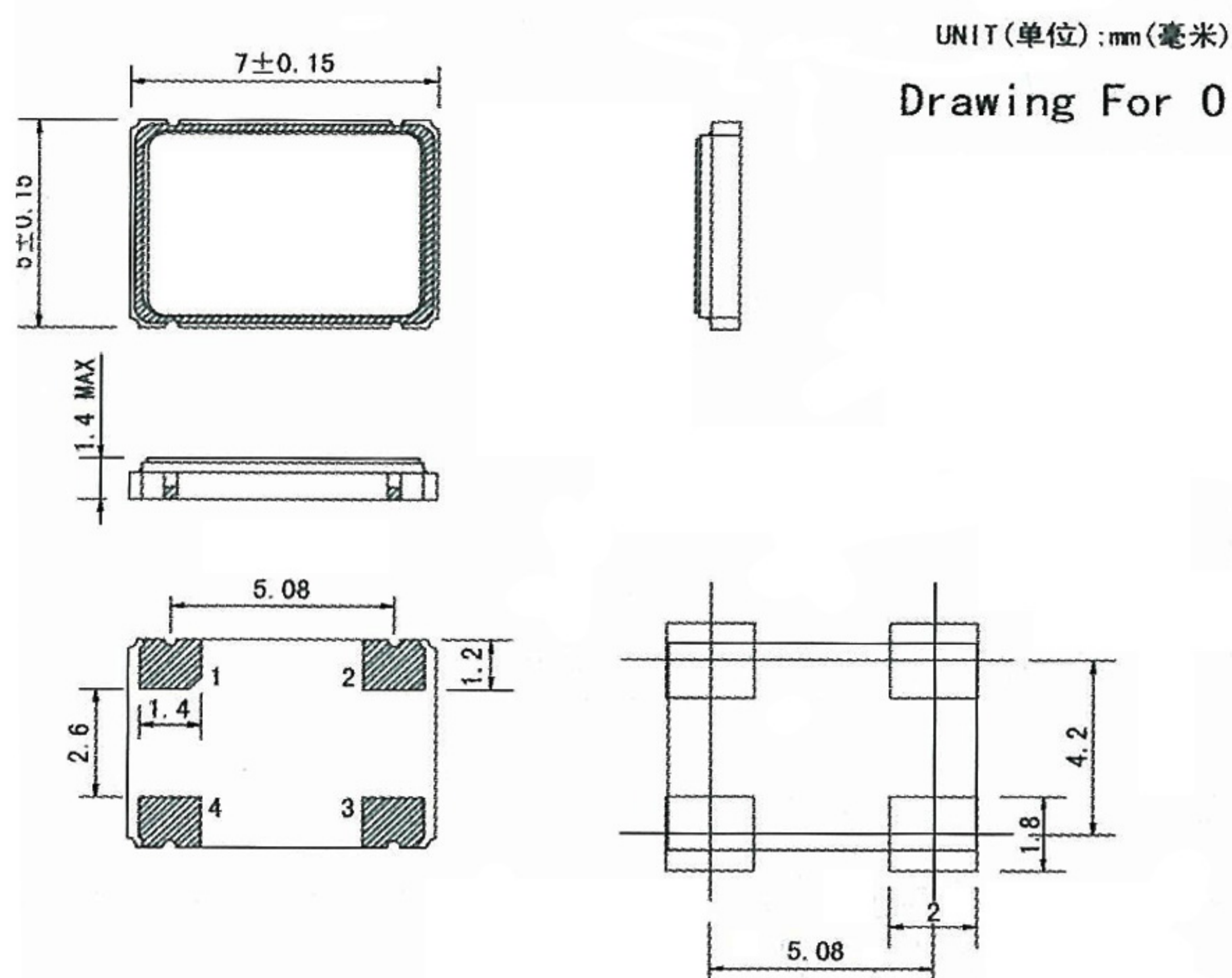
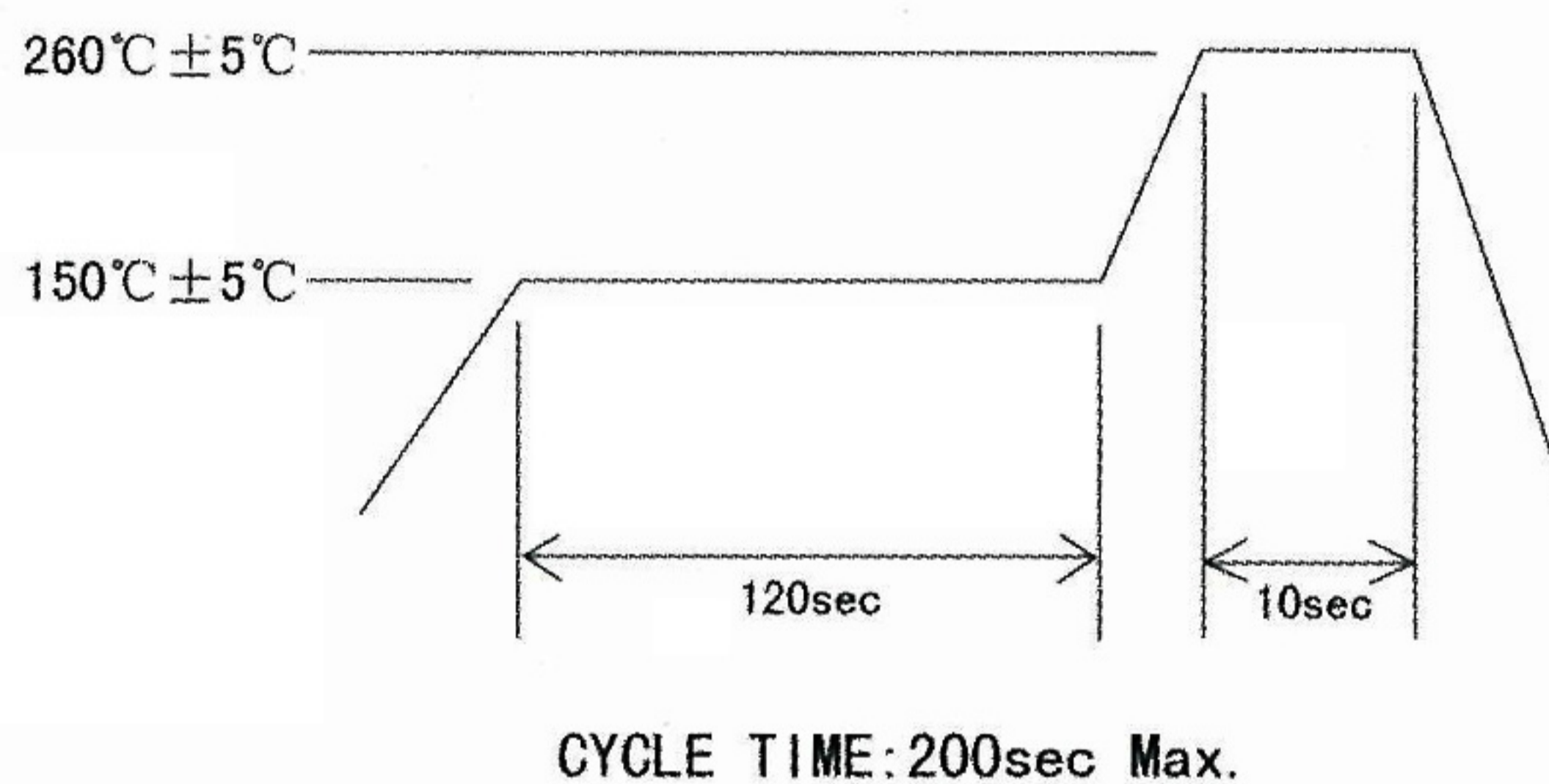


◆ Mechanical Dimensions 外型尺寸



◆ Reflow Condition(回流焊条件)



◆ Electrical Specifications 电气参数

| 型号 | Holder Type | 5x3.2mm SMD OSCILLATOR |
|---------|-----------------------------------|-------------------------------|
| 频率范围 | Frequency Range | 1.000MHz to 150.000MHz |
| 总频差 | Frequency Stability | ±25ppm to 50ppm |
| 输入电压 | Supply Voltage | 5.0V or 3.3V±10% |
| 工作温度范围 | Operating Temperature Range | -10°C~+60°C to -40°C~+85°C |
| 储存温度范围 | Storage Temperature Range | -40°C~+85°C/-55°C~+125°C |
| 占空比 | Symmetry(Duty Cycle) | 40/60% Standard |
| 输出 | Output Load | 10TTL or 15pF HCMOS |
| 消耗电压 | Current Consumption (15pf only) | 1.000MHz-36.000MHz=25mA max |
| | 5.0V | 36.000MHz-70.000MHz=60mA max |
| | Current Consumption (15pf only) | 70.000MHz-100.000MHz=80mA max |
| | (1.8V 2.5V 2.85V 3.3V) | 1.000MHz-36.000MHz=20mA max |
| | | 36.000MHz-100.000MHz=40mA max |
| | | 70.000MHz-100.000MHz=60mA max |
| 上升/下降时间 | Rise/Fall Time | 10nS max |