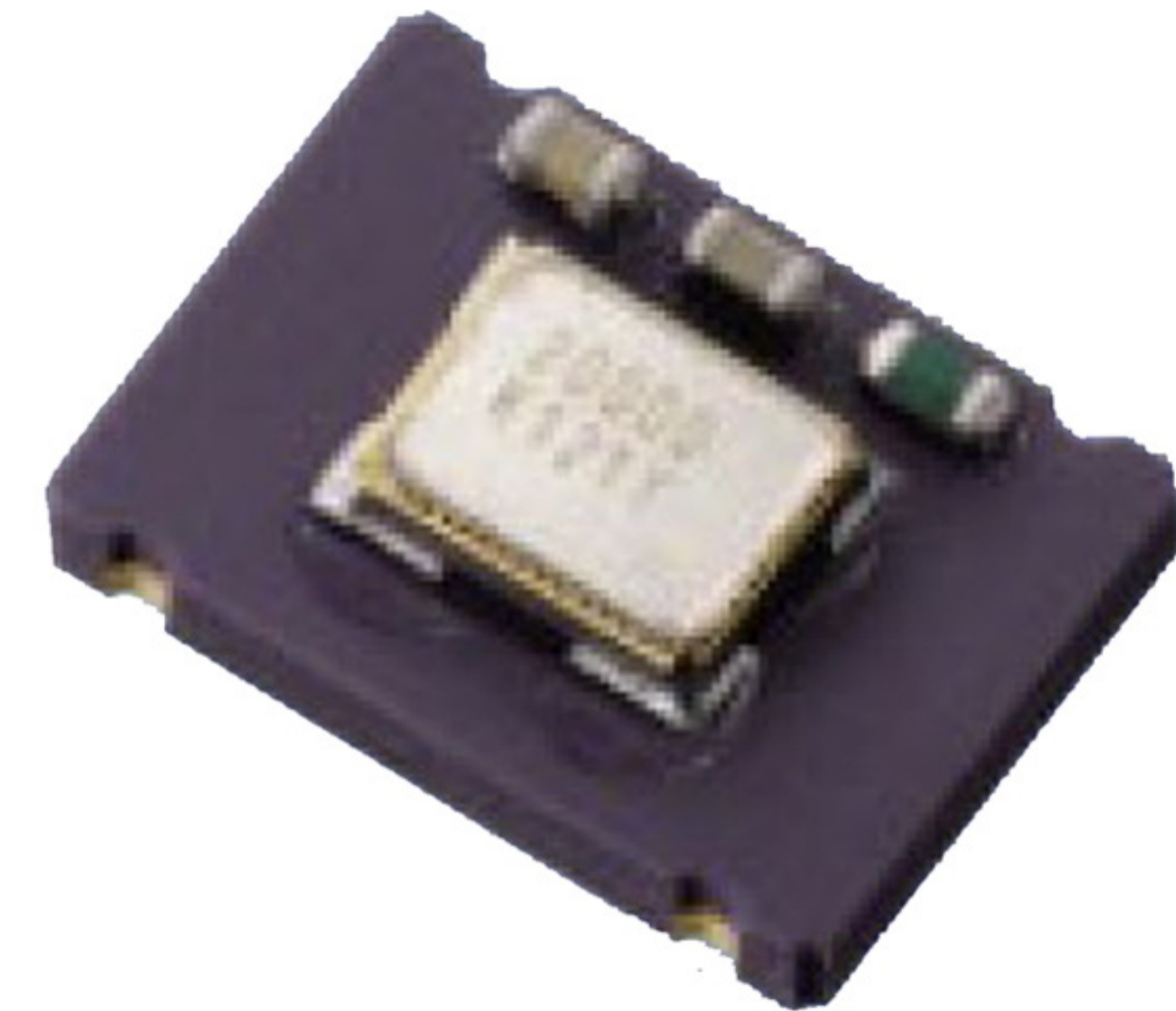
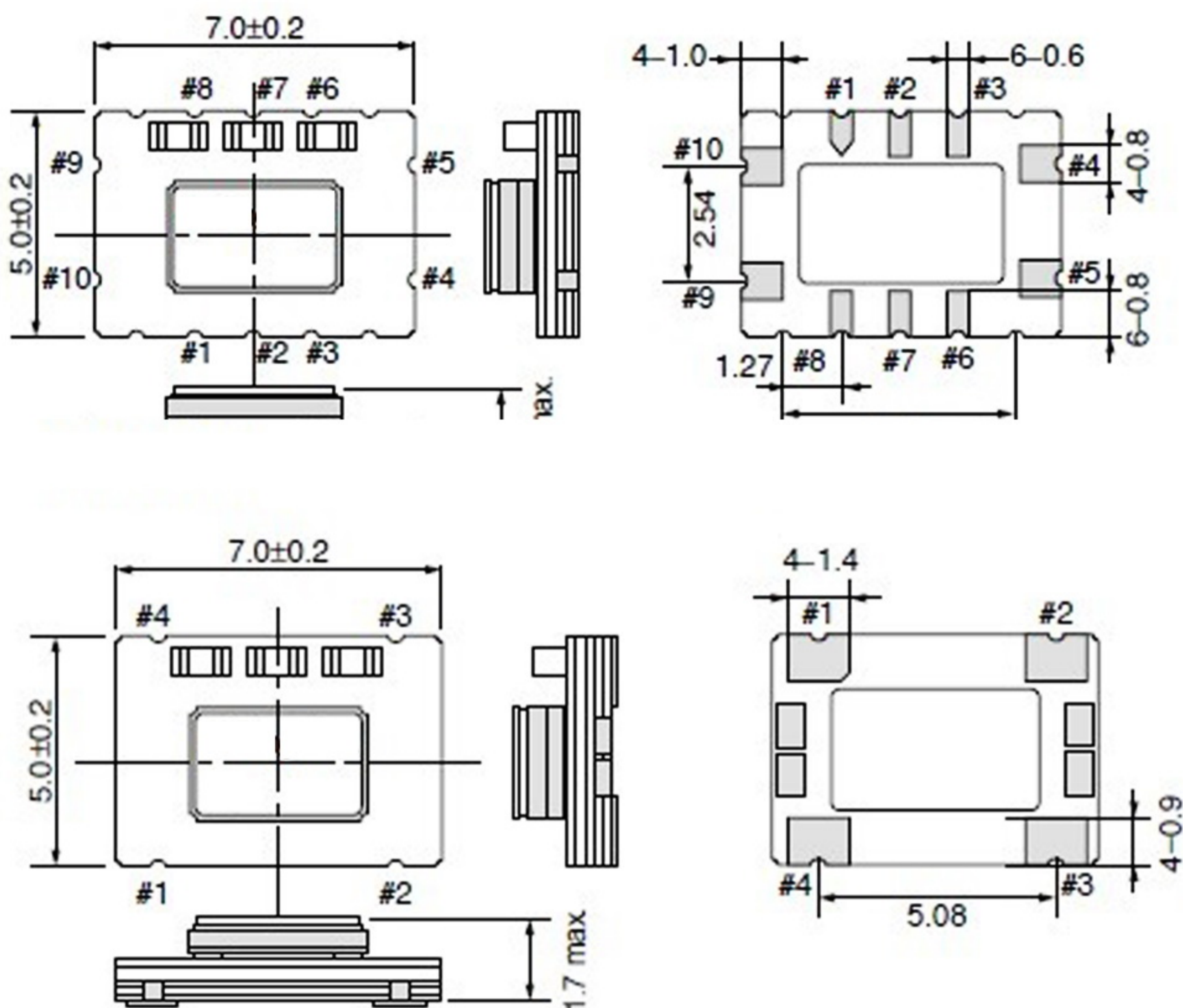


◆ Mechanical Dimensions 外型尺寸



◆ Electrical Specifications 电气参数

| 型号 | Holder Type | 5x7 SMD TCXO |
|--------|----------------------------|--|
| 频率范围 | Frequency Range | 0.5-160MHz |
| 典型频点 | Typcial Frequency | 16.3676MHz/16.36766MHz/16.367677MHz/16.368MHz/16.369MHz/24.5535MHz/26MHz |
| 输入电压 | Supply Voltage(VCC) | 5.0VDC or 3.3VDC±10% |
| 工作温度范围 | Operating Temperture Range | -10°C - +60°C to -40°C - +85°C |
| 储存温度范围 | Storage Temperture Range | -55°C - +125°C |
| 负载 | Load | (10K//10PF)±10% |
| 频率偏差 | Frequency Tolerance | 2.0ppm Max. |
| 频率稳定度 | Frequency Stability | ±0.5ppm to ±2.5ppm |
| 老化 | Aging | ±1ppm Max./year |
| 消耗电流 | Current Consumption | 20mA Max. |
| 相位噪声 | Phase Noise | |
| | 100Hz offset typical | -113dB/Hz |
| | 1KHz offset typical | -135dB/Hz |
| | 10KHz offset typical | -148dB/Hz |

◆ Typcial Frequency 典型频点

12.8MHz、13.56MHz、19.2MHz、19.44MHz、
20MHz、26MHz、16.3676MHz、16.36766MHz、
16.367677MHz、16.368MHz、16.369MHz、
24.5535MHz、26MHz

◆ Reflow Condition(回流焊条件)

