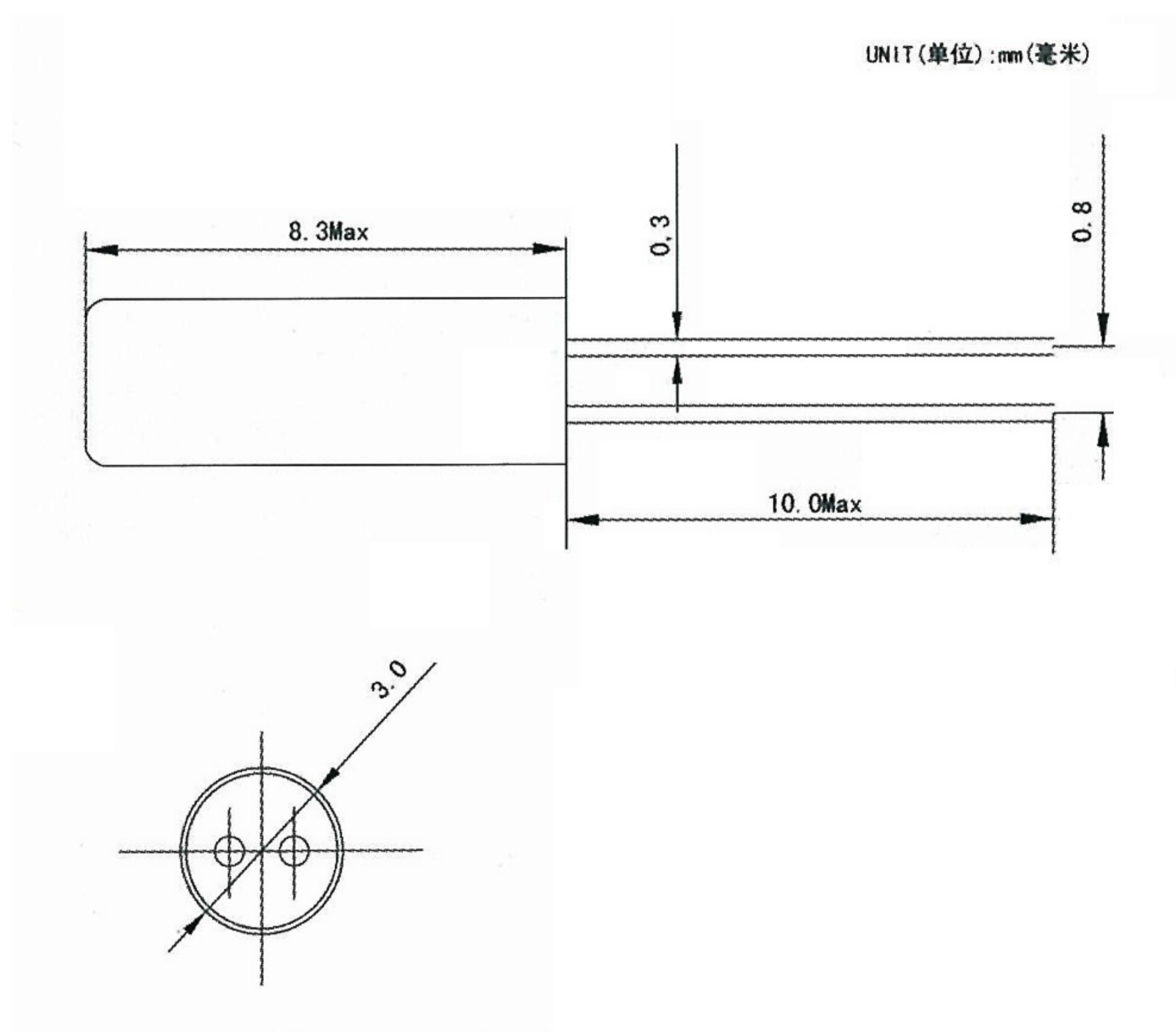


◆ Mechanical Dimensions 外型尺寸



◆ Electrical Specifications 电气参数

型号	Holder Type	Turning Fork308(KHZ)
频率范围	Frequency Range	30.000KHz to 200.000KHz
调整频差范围	Frequency Tolerance (ΔF) (at 25°C)	± 5 ppm to Maiximum
频率温度系数	Parabolic Curvature Range	-0.042ppm/($\Delta^\circ\text{C}$)Maximum
Q值	Q-factor	50000 Maximum
工作温度范围	Operating Temperature Range	-10°C to +60°C
老化	Aging(at 25°C)	± 5 ppm/year Maximum
保存温度范围	Storage Temprature Range	-40°C to 85°C
静电容	Shunt capacitance (C_0)	1.0PF Typical , 2pF Maximum
动电容	Motional Capacitance (C_1)	3.0fF Typical
激励功率	Drive Level	1 μ W Maximum
绝缘阻抗	Insulation Resistance(R_s)	500 megaohms Minimum at D.C 100V
负载电容	Load Capacitance(CL)	Suggested by customer

◆ Equivalent Series Resistance and Mode of Operation 等效阻抗和振荡模式

Frequency Range 频率范围	ESR (Ω) 等效阻抗
30-40KHz	40KMAX
40-60KHz	30KMAX
60-70KHz	25KMAX
70-100KHz	22KMAX
100-200KHz	20KMAX

【 注意事项 】

不能对柱晶柱体进行焊接（包括接地）。如果需要固定，请采用专用胶水粘贴。否则，会对产品产生不良影响